



## National Power Corporation

### SUPPLEMENTAL/BID BULLETIN NO. 1

to the Bid Documents for the:

**LEASE OF 6.0 MW MODULAR DIESEL GENSETS FOR EL NIDO DPP UNDER PR NO. S1-END23-001/ REF. NO. PB230314-NA00038**

**06 MARCH 2023**

All prospective bidders and authorized copy holders of the Bid Documents of the above-mentioned project are hereby advised of the **SINGLE LINE DIAGRAM** and **PLANT LAYOUT**, to wit:

#### A. SINGLE LINE DIAGRAM

*Please refer to the attached single line diagram (one page).*

#### B. PLANT LAYOUT

*Please refer to the attached plant layout (one page).*

All other terms and conditions shall remain the same.

For the information and guidance of all authorized copy holders of the Bid Documents and prospective bidders.

For the Bids and Awards Committee:

  
**RENE B. BARRUELA**

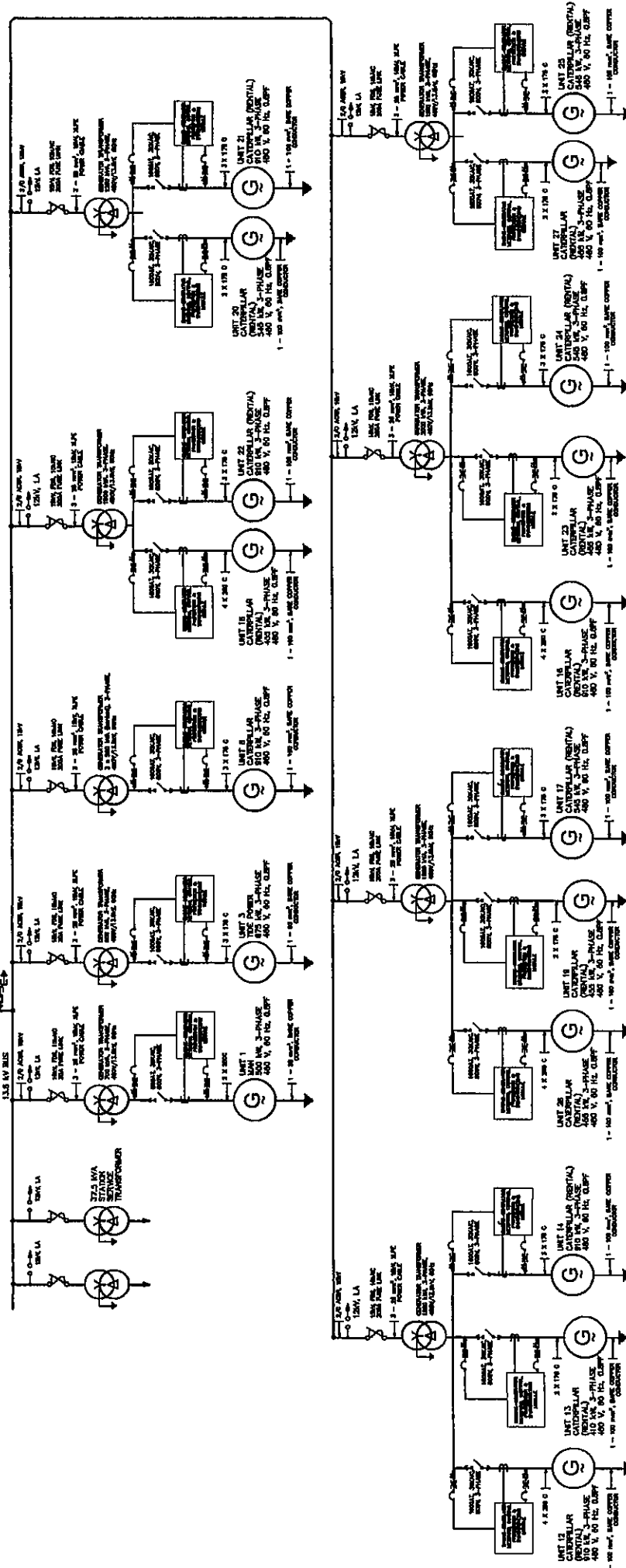
Vice President, Corporate Affairs Group and  
Chairman, Bids and Awards Committee



OUTGOING FEEDER

LEGEND:

- 12 OVERSEED RELAY
  - 25 SYNCHRONISM CHECK RELAY
  - 27/29 PHASE SEQUENCE VOLTAGE RELAY
  - 30 PHASE SEQUENCE VOLTAGE RELAY
  - 31 FUNCTIONAL POWER RELAY
  - 50/51 INSTANTANEOUS/A.C. TIME OVERCURRENT RELAY
  - 64 UNDERVOLTAGE RELAY
  - 51 N NEUTRAL TIME OVERCURRENT RELAY
  - 94 TRIPPING RELAY
- 
- GENERATOR CIRCUIT BREAKER
  - GENBUS (OR SET)
  - CURRENT TRANSFORMER
  - VOLTAGE TRANSFORMER
  - CURRENT LIMITING FUSE
  - CIRCUIT BREAKER INDICATOR
- 
- LOADING ARRESTER
  - FUSE DISCONNECT SWITCH
  - CURRENT TRANSFORMER
  - VOLTAGE TRANSFORMER
  - GENERATOR TRANSFORMER
- 
- 2 X 150 C COPPER CONDUCTOR
  - WIRE SIZE IN MM<sup>2</sup>
  - WIRE SIZE IN INCH<sup>2</sup>
  - INCHES-NEUTRAL
  - 100 OF SETS



**NATIONAL POWER UTILITIES CORPORATION**  
 SMALL POWER UTILITIES GROUP  
 LUCENA OPERATIONS DEPARTMENT  
 PALAW AREA OPERATIONS DIVISION

**SINGLE LINE DIAGRAM**

DRAFTED <i>E. O. GABUTERO</i>	RECOMMENDED <i>J. T. VALLETORA</i>	APPROVED <i>F. B. BARRO</i>	DATE 12-05-91 2:23
REVISION 8		SHEET 1	
PROJECT NO. 100-00-00-001		DRAWN BY E. O. GABUTERO	

**NPC UNITS**

- U1 - 500 KW DIESEL ENGINE (MAN-CX2)
- U2 - 675 KW DIESEL ENGINE (TIDEPOWER)
- U3 - 675 KW DIESEL ENGINE (TIDEPOWER)
- U6 - 600 KW DIESEL ENGINE (TPI)
- U7 - 600 KW DIESEL ENGINE (TPI)

**RENTAL UNITS**

- 2022-01-003-ZCT (EXPIRY - MAR 13, 2023)
  - U12 - 910 KW DIESEL ENGINE (OMCPC)
  - U13 - 455 KW DIESEL ENGINE (OMCPC)
  - U14 - 910 KW DIESEL ENGINE (OMCPC)
- 2022-04-032-ZCT (EXPIRY - APR 30, 2023)
  - U8 - 910 KW DIESEL ENGINE (MONARK)
  - U16 - 910 KW DIESEL ENGINE (MONARK)
  - U17 - 545 KW DIESEL ENGINE (MONARK)
  - U19 - 455 KW DIESEL ENGINE (MONARK)
  - U23 - 455 KW DIESEL ENGINE (MONARK)
  - U24 - 545 KW DIESEL ENGINE (MONARK)
  - U25 - 545 KW DIESEL ENGINE (MONARK)
  - U26 - 455 KW DIESEL ENGINE (MONARK)
  - U27 - 455 KW DIESEL ENGINE (MONARK)
- 2022-09-090-ZCT (EXPIRY - DEC 05, 2023)
  - U18 - 455 KW DIESEL ENGINE (MONARK)
  - U20 - 545 KW DIESEL ENGINE (MONARK)
  - U21 - 725 KW DIESEL ENGINE (MONARK)
  - U22 - 910 KW DIESEL ENGINE (MONARK)

- OWS - OIL WATER SEPARATOR
- WJP - WATER JET PUMP HOUSE
- WST - WATER STORAGE TANK

**NATIONAL POWER CORPORATION**  
 SMALL POWER UTILITIES GROUP  
 LUZON OPERATIONS DEPARTMENT  
 PALAYAN AREA OPERATIONS DIVISION

**PLANT LAYOUT**

DRAFTED: E.L.O. CABUTERO  
 RECOMMENDED: [Signature]  
 APPROVED: [Signature]

EL NIÑO DIESEL POWER PLANT  
 1st FLOOR  
 DATE: MAR 07, 2023  
 REVISION: 9  
 DRAWING NUMBER: P.E. 1843-057  
 PROJECT NUMBER: 1005-GRD-001

